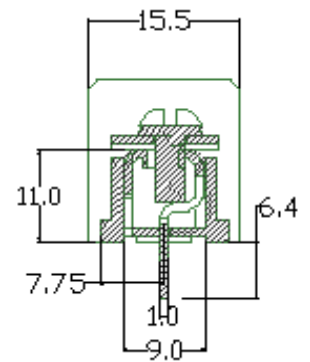
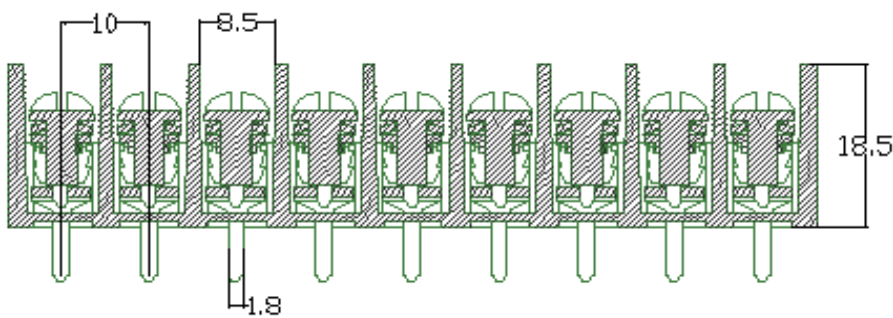


# SCTB1000-02 (AJ)



$L = P \times \text{POLES}$  (2~16P)

技术参数 (TechnicalData)	
间距 (Center Space)	10mm
压线范围 (Wire Range )	26-12AWG
螺钉扭矩 (Screw Torque))	13 lbfin
额定参数 (Rated Paraneters)	300V.20A
冲击电压 (Rated Surge Voltage)	4000V
绝缘本体 (Insulation Body)	RBT.UL94.V-0
压线螺钉 (screw)	M4.Steel.Nickel Plated
焊接端子 (terminal Body )	Brass.Tin Plated
使用温度 (Operating Temperature)	-40℃~120℃
PCB 孔径 (PCB Holes Diameter)	Φ 2.0mm